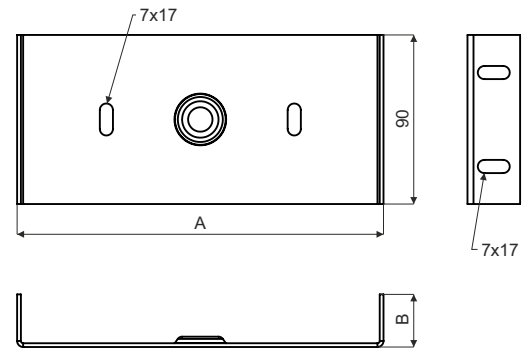


type number	A (mm)	B (mm)	thickness of the metal sheet (mm)	weight (kg/ks)	hole in the bottom	number of screws for connection	🔥
ZVNI 62_S	58	27	2	0,14	ne	4	🔥
ZVNI 62_F				0,16			
ZVNI 75_S	71	28	2	0,16	ne	4	
ZVNI 75_F				0,19			
ZVNI 100_S	96	28	2	0,2	ne	4	
ZVNI 100_F				0,24			
ZVNI 125_S	121	27	2	0,2	ne	4	🔥
ZVNI 125_F				0,27			
ZVNI 150_S	146	28	2	0,27	ne	4	
ZVNI 150_F				0,31			
ZVNI 200_S	196	28	2	0,34	ano, 2x	4 - 6	
ZVNI 200_F				0,39			
ZVNI 250_S	246	27	2	0,41	ano, 2x	4 - 6	🔥
ZVNI 250_F				0,47			
ZVNI 300_S	296	28	2	0,42	ano, 4x	4 - 8	
ZVNI 300_F				0,56			
ZVNI 400_S	396	28	2	0,62	ano, 4x	4 - 8	
ZVNI 400_F				0,72			



product description:

The internal suspension is used to suspend the cable tray from the threaded rod. The threaded rod is anchored to the hanger using an MN nut, which must be ordered separately. The dimension of the nut is chosen by the diameter of the threaded rod.

It is fastened to the sides of the cable tray using bolts NSM 6X10. It can be fastened to the bottom of the cable tray from the 200 mm width.

To protect the cables, the bolt head is inside the cable tray.

A bolt with a GMT surface finish is used for a tray with an F surface finish.

Maximum load is 90 kg.

surface finish:

S - Pre-Galvanized according to EN 10346, EN 10143, zinc-layer 15-27 µm
 F - Hot Dip Galvanized according to ČSN EN ISO 1461, zinc-layer 45 µm (min. 35 µm)

meets the requirements: ČSN EN 61537:02

sales amount:

1 pc

classification 🔥:

ČSN 73 0895 P 90-R
 DIN 4102-12 E 90
 STN 92 0205 PS 90

Fire classification depends on the specific conditions of the cable tray, detailed in the catalog Systems with maintained functionality in fire

🔥 products are approved for non-standard constructions

storage:

ČSN EN 60721-3-1

