

type number	length (L) (mm)	weight (kg/pc)	🔥
<b>SPS 200_F</b>	200	0,86	🔥🔥
<b>SPS 300_F</b>	300	1,12	🔥🔥
<b>SPS 400_F</b>	400	1,37	🔥🔥
<b>SPS 450_F</b>	450	1,50	🔥🔥
<b>SPS 500_F</b>	500	1,62	🔥🔥
<b>SPS 600_F</b>	600	1,88	🔥🔥
<b>SPS 800_F</b>	750	2,25	🔥🔥
<b>SPS 1000_F</b>	1000	2,89	🔥🔥
<b>SPS 1200_F</b>	1200	3,39	🔥🔥

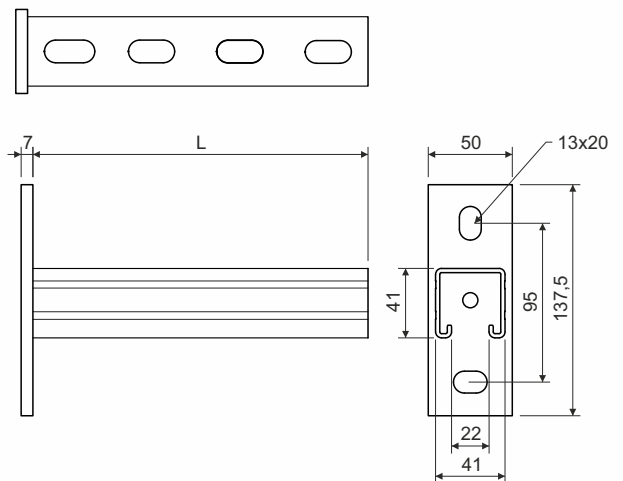


**product description:** The ceiling profile is used as an element to create a supporting structure for a cable tray and to attach it to the ceiling or floor.

Designated for fastening of the brackets DS, DT and DTN with the use of sliding nut PM 41 M 10 and the bolt with a hexagonal head S 10X20. For double-sided mounting, the DT brackets are attached using S 10X70 bolts, M 10 nuts and PD 10 washers.

The ceiling profile can also be used as a support for cable trays on the wall or on the ceiling profile.

For safety purposes, the end of the profile may be fitted with an OKSPS protective cover.



**surface finish:** F - suitable for indoor and outdoor installations (min. 1000 hours salt spray test according ISO 9227)

**sales amount:** 1 pc

**classification 🔥:** ČSN 73 0895 P 90-R  
 DIN 4102-12 E 90  
 STN 92 0205 PS 90

Fire classification depends on the specific conditions of the cable tray, detailed in the catalog Systems with maintained functionality in fire

🔥 products are approved for standard constructions

🔥🔥 products are approved for non-standard constructions

**storage:** ČSN EN 60721-3-1

