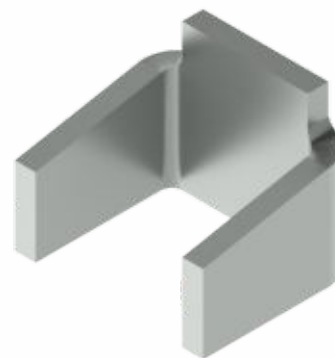


type number	thickness of metal sheet (mm)
NPPVZ_S	2,0



product description: The safety lock is used to secure clamp supports type NPR in the assembly profile NMP.

surface finish: S - Pre-Galvanized according to EN 10346, EN 10143, zinc-layer 15-27 µm

sales amount: 1 pc

storage: ČSN EN 60721-3-1

